

# Original Gripper®

Cherne's Gripper plugs can be used in a variety of applications including DWV (drain, waste and vent) testing and stack testing. End-of-Pipe design won't fall in, whereas the Inside-of-Pipe design allows you to locate the plug inside the pipe as far as you need. Time tested, the Gripper® remains one of the most popular mechanical plugs on the market.

### Original Gripper® Plug Features:

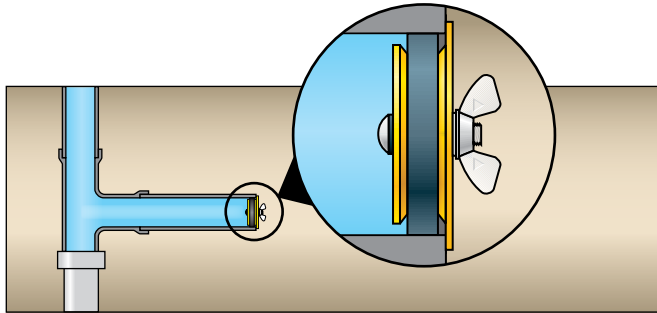
- Ideal for sewer testing and long-term applications
- Made with glass-reinforced ABS plastic
- End-of-pipe design seals only at the end of a pipe
- Inside-of-pipe design seals inside pipe as far as needed

### Equipped with:

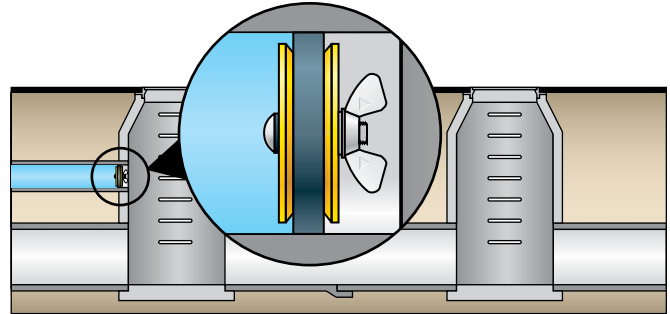
- Easy-to-install extra large zinc wing nut – won't rust
- Natural rubber o-ring
- Galvanized carriage bolt to prevent corrosion



**End-of-Pipe Gripper® plug**



**Inside-of-Pipe Gripper® plug**



### End-of-Pipe Gripper

Part Number	Nominal Size	Usage Range	Maximum Back Pressure	Length	Product Weight
270210	1 1/2" (40 mm)	1.48"-1.65" (39-42 mm)	17 psi (1,2 bar)	40 ft. (12 M)	1.75" (44.5 mm) 0.13 lbs (0.05 kg)
270229	2" (50 mm)	1.9"-2.17" (49-55 mm)	17 psi (1,2 bar)	40 ft. (12 M)	1.87" (47.5 mm) 0.19 lbs (0.09 kg)
270237	3" (75 mm)	2.8"-3.1" (71-79 mm)	17 psi (1,2 bar)	40 ft. (12 M)	2.5" (63.5 mm) 0.375 lbs (0.16 kg)
270245	4" (100 mm)	3.8"-4.06" (96-103 mm)	17 psi (1,2 bar)	40 ft. (12 M)	2.5" (63.5 mm) 0.5 lbs (0.23 kg)
270261	6" (150 mm)	5.77"-6.08" (147-154 mm)	17 psi (1,2 bar)	40 ft. (12 M)	3.75" (95.3 mm) 2.5 lbs (1.14 kg)
270270	8" (200 mm)	7.7"-8.03" (196-204 mm)	17 psi (1,2 bar)	40 ft. (12 M)	3.75" (95.3 mm) 3 lbs (1.37 kg)

### Inside-of-Pipe Gripper

Part Number	Nominal Size	Usage Range	Maximum Back Pressure	Length	Product Weight
270296	4" (100 mm)	3.8"-4.06" (96-103 mm)	17 psi (1,2 bar)	40 ft. (12 M)	2.5" (63.5 mm) .5 lbs (0.23 kg)
270253	6" (150 mm)	5.77"-6.08" (147-154 mm)	17 psi (1,2 bar)	40 ft. (12 M)	3.75" (95.3 mm) 2.5 lbs (1.14 kg)
270288	8" (200 mm)	7.7"-8.03" (196-204 mm)	17 psi (1,2 bar)	40 ft. (12 M)	3.75" (95.3 mm) 3 lbs (1.37 kg)

